



SYNCHRO™ DUAL SLIDING SYSTEM INSTALLATION & FABRICATION INSTRUCTIONS

SYNCHRO SYSTEM KIT

The Synchro™ dual bypass sliding shower kit is an elegant, versatile, quiet, low profile, dual door system. The components are made of high quality stainless steel. The glass fabrication is simple, requiring (4) Ø3/4" holes. Synchro™ is designed for standard 180° openings of 73" or less. See below for additional product and installation information.

KIT INCLUDES

- (8) Door Rollers
- (2) Door Stoppers
- (2) Bar Wall Mounts
- (1) Door Guide
- (1) Tool Kit
- (1) 73" 304 Stainless Bar
- (2) 80" Clear PVC L-Jamb Vinyl
- (2) 40" Bottom Sweep with Drip Rail
- (2) Round 24" Single Towel Bar

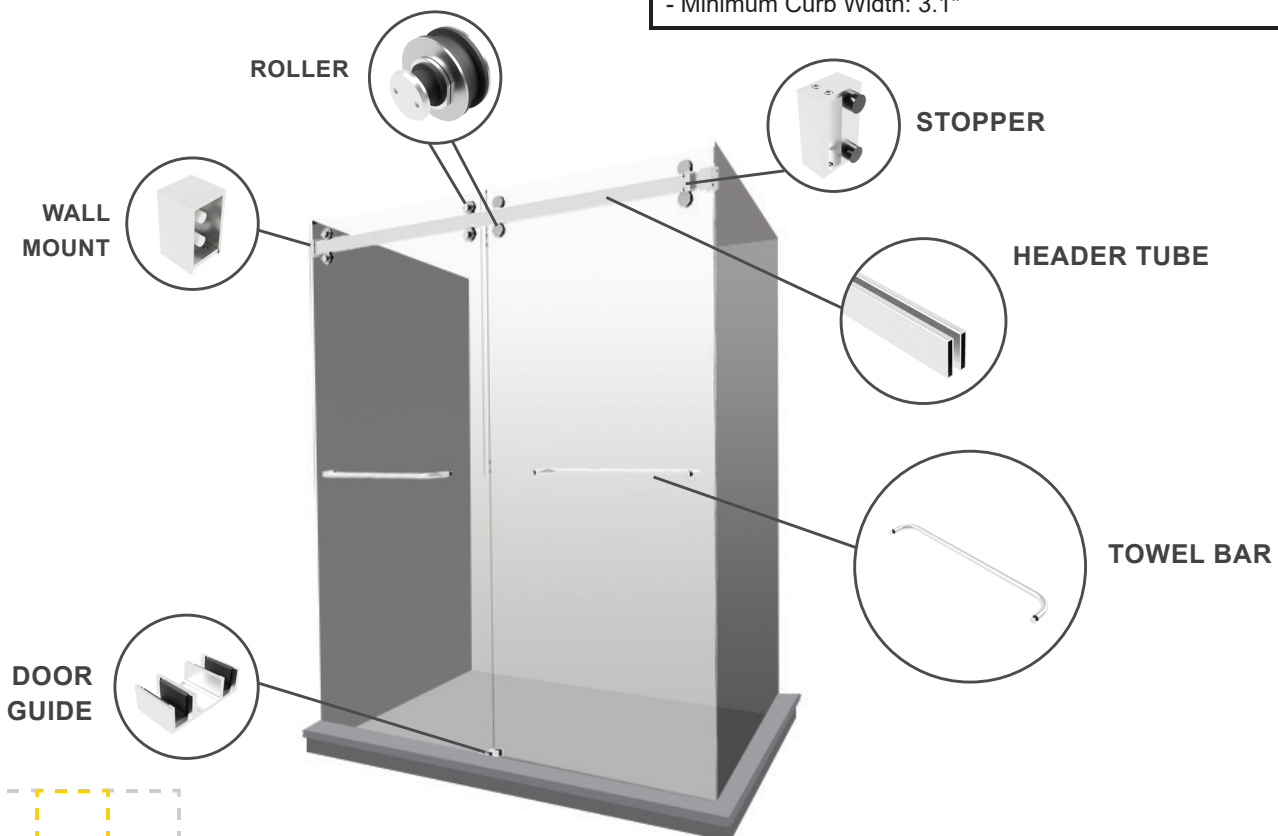
Optional Additional Parts

Glass Mount for Return Panel

Part Number	Description	Finish
SYNCHRO.BLK	Synchro Bypass Slider System	Matte Black
SYNCHRO.POL	Synchro Bypass Slider System	Polished Stainless
SYNCHRO.BRU	Synchro Bypass Slider System	Brushed Stainless
SYNCHRO.SAB	Synchro Bypass Slider System	Satin Brass

Product Details

- Stainless Steel Components
- 84 lbs per door maximum weight
- 37" maximum glass width
- 5/16" to 3/8" thick glass compatibility
- (8) Ø3/4" holes in glass doors for rollers
- (4) Ø1/2" holes in glass doors for towel bars
- Minimum Curb Width: 3.1"





CUTTING & FABRICATION

IMPORTANT INFORMATION

Overall Width = wall to wall distance

Overall Height = base to top of glass

Base Deduction = 3/8"

Glass Overlap at Center = 2"

Towel Bar Placement = at desired height
with (2) $\text{Ø}1/2$ " holes spaced 24" apart

Gap between panels = 1-3/4"

QUICK METAL SIZE CUTTING FORMULA:

Bar Cutting Formula:

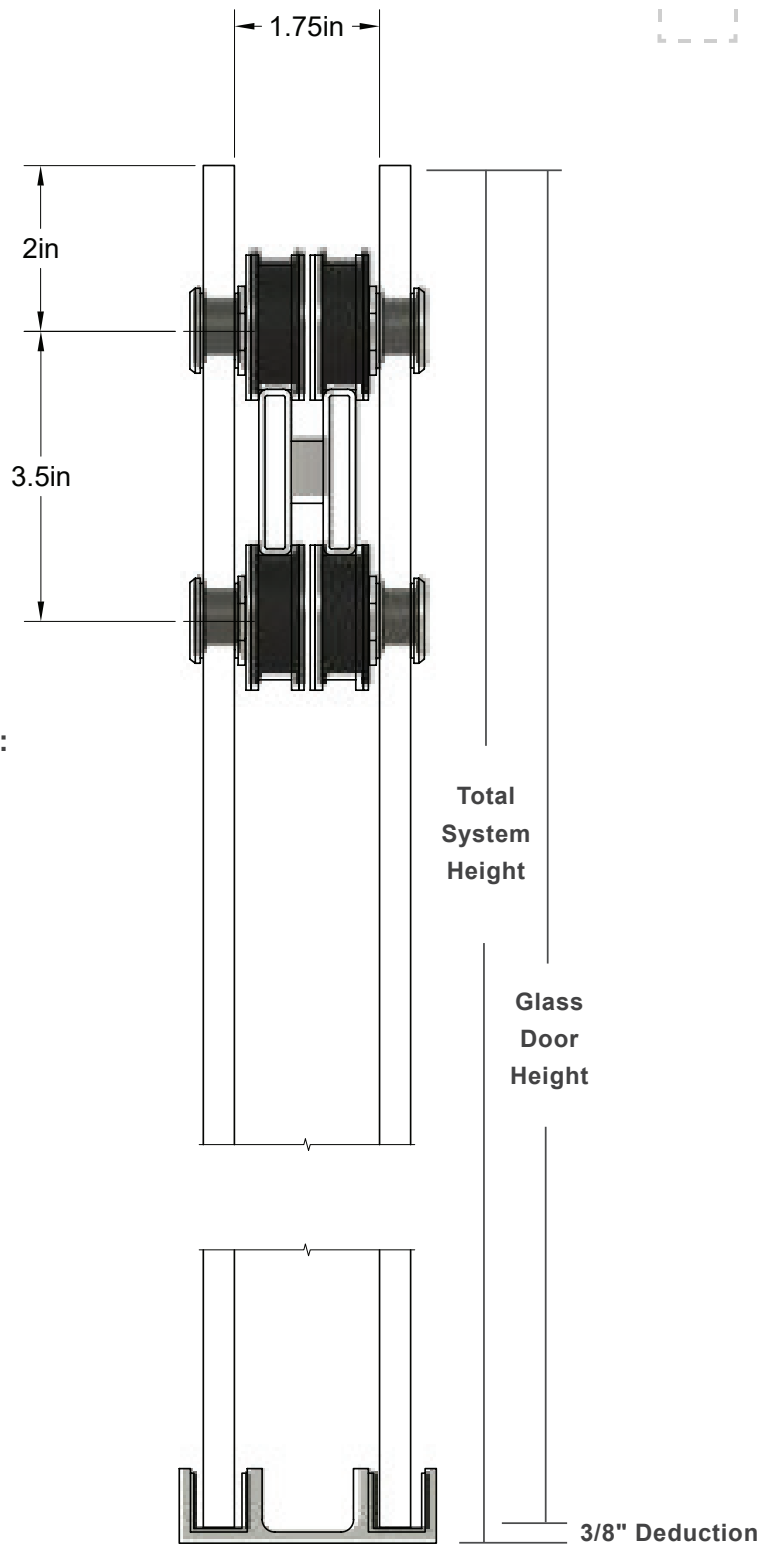
Length of bar = overall width subtract 1/2"

Glass Door Cutting Formula:

(2) Glass Doors

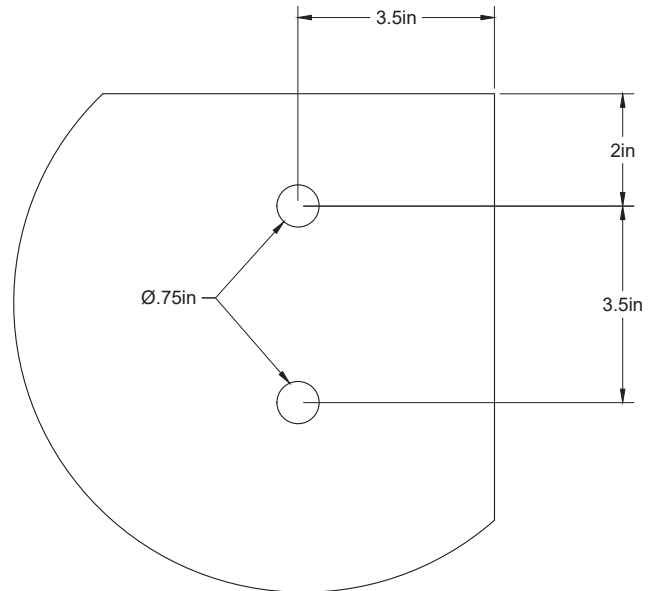
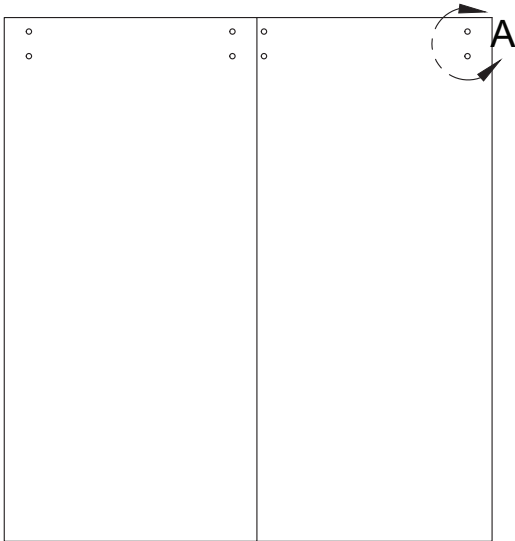
Width = Overall width divided by 2, add 1"

Height = Overall Height minus 3/8"



CUTOUT DRAWING

Typical Hole Configuration on each side of each door panel:



DETAIL A
SCALE 1:2

INSTALLATION INSTRUCTIONS

1

Synchro Bar Cutting

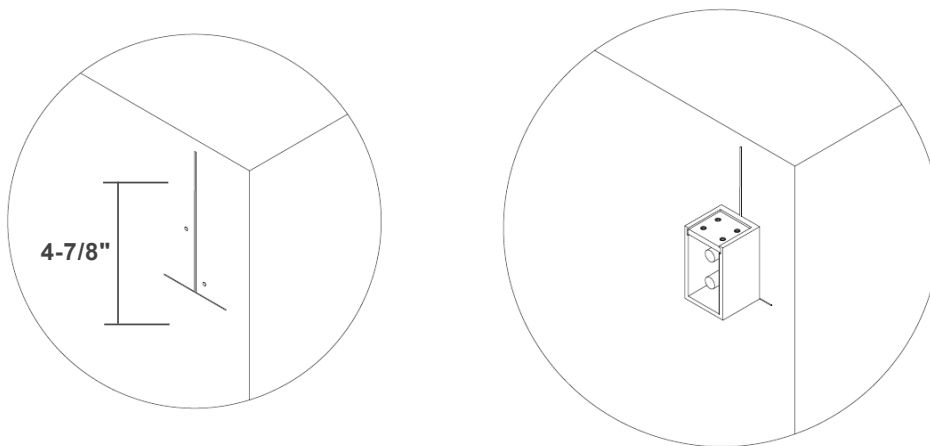
Measure the distance between walls at the top of shower opening. Take that distance and minus 1/2". Using a saw blade with the correct specs for cutting stainless steel, cut the Bar/ Header Track to this length. After cutting, ensure that the track fits the opening by placing the wall mount adapters on each end and setting into place at the top of the shower opening. Adjust as needed.

INSTALLATION INSTRUCTIONS

2

Synchro Wall Mounts Installation

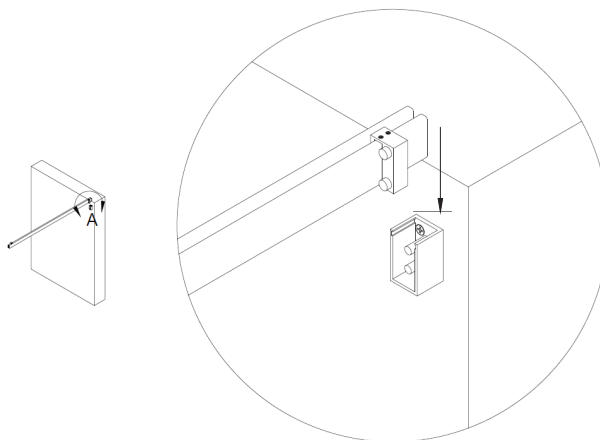
The bar placement on the wall should be determined by identifying the desired location of the outer glass door. Typically the bar will be centered on the curb of the opening. Use a laser level and tape to mark the overall height of the glass doors. From this height, mark the location of the **BOTTOM** of the wall mounts by measuring down 4-7/8" and place a mark. Repeat on opposite side. Mark and drill the tile for each of the (2) holes on each of the (2) wall mount pieces. **IMPORTANT:** make sure the track will sit level between the holders.



3

Synchro Bar Header Installation:

Slide the door stoppers onto the Synchro bar. Position these on opposite tracks of the bar, one on each side of the bar with the black stoppers pointing to the center of the shower. Set the header bar into the mounted wall holders. Once in place in the holders, set the cover plates into position with set screws. Adjust as needed with top and bottom screws on each mounting piece.



INSTALLATION INSTRUCTIONS

4 Glass Door Installation

Prior to hanging the glass doors, install the top (2) rollers on the panels. Adjust the rollers to the center "out of round" position. Do not install the lower (2) rollers at this time. Hang the door panels on the bar header. Use wood shims at the bottom of the glass for a 3/8" clearance. Once the doors are in place, remove the wood shims. Test the door sliding movement - adjust the top rollers as needed. Once the doors are moving as intended, proceed to install the lower (2) glass rollers on each panel. Lock the door stoppers into place on each side of the bar by tightening the set screws.

5 Synchro Door Floor Guide Installation

After the sliding panels have been installed and adjusted, the floor guide can be mounted into place. Position the guide at the center overlap location between the glass panels. The doors will need to be removed for this step. Attach the floor guide using the (2) attachment screws provided, waterproofing the holes with sealant.

6 Synchro Jamb Seal

Install the jamb seals on each side of the shower, aligning with the glass door edge. The jambs attach to wall with self-adhesive. Cut as needed. The bottom wipe and drip can be cut to size and installed as needed.

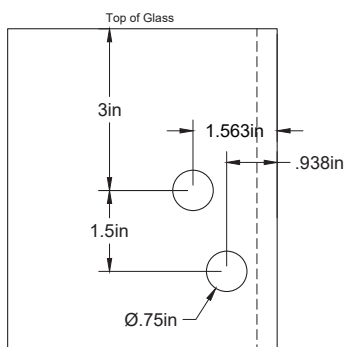
7 Synchro Towel Bar Installation

Install towel bars or other door pulls as desired.

8 OPTIONAL: Glass Mount for Return Panel Details

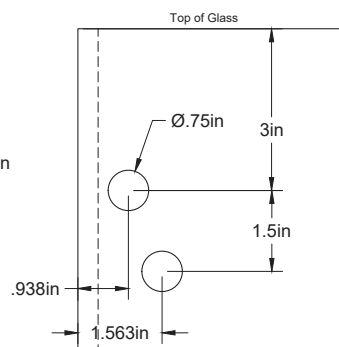
Left Return Configuration

Return panel must always overlap door

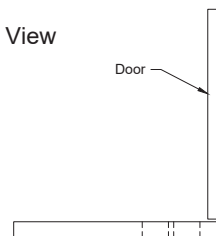


Right Return Configuration

Return panel must always overlap door



Top View



Top View

